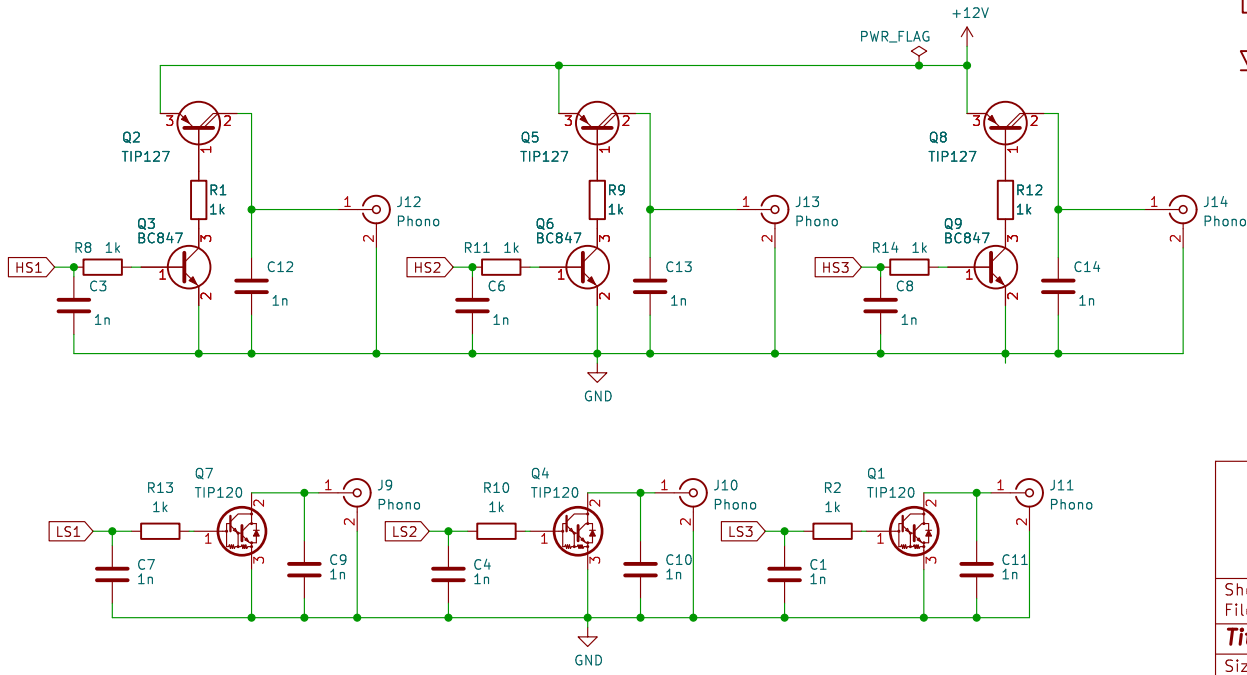
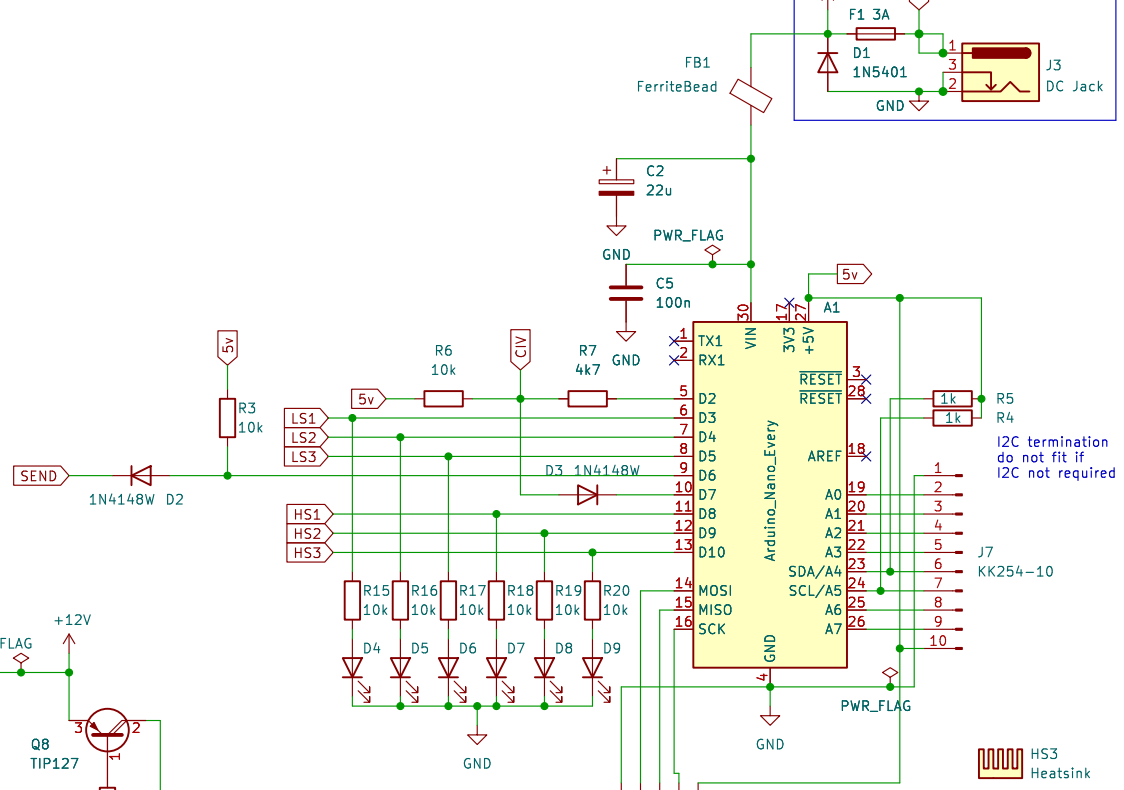
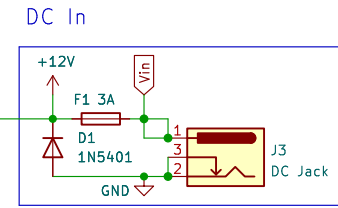
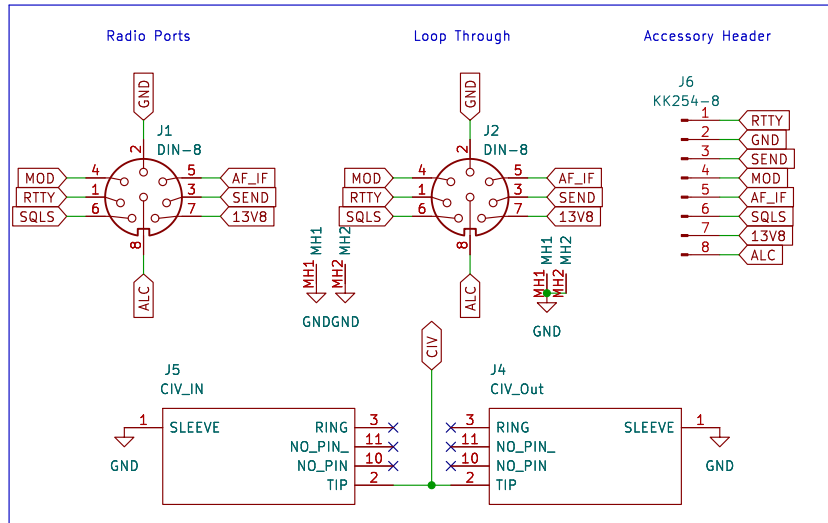


Radio Connections



- HS3 Heatsink
- HS2 Heatsink
- HS1 Heatsink
- HS6 Heatsink
- HS5 Heatsink
- HS4 Heatsink

Sheet: /		File: IC9700_PTT.kicad_sch	
Title: IC9700 BAND / PTT Breakout			
Size: A4	Date: 2022-08-03	Rev: 1	
KiCad E.D.A. kicad 7.0.5	Id: 1/1		