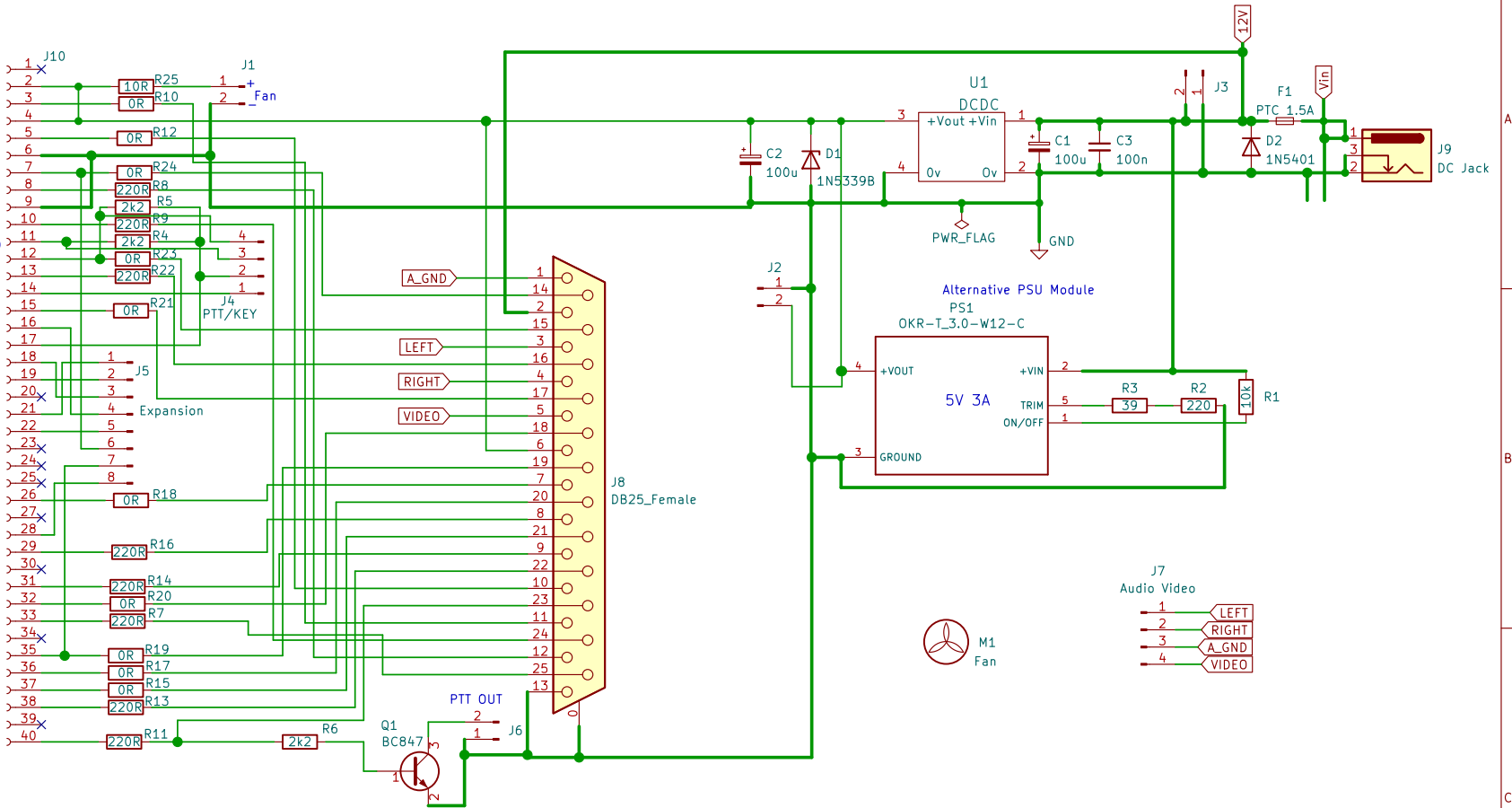




PI GPIO Assignment

- 1 3v3
- 2 5V
- 3 SDA1
- 4 5V
- 5 MCP3002\_LE
- 6 0v
- 7 BAND\_D2
- 8 ADF5335\_LE
- 9 0v
- 10 ATTEN\_LE
- 11 PTT IN (Ryde IR)
- 12 TX/STREAM/KEY
- 13 ACTIVE LED
- 14 0v
- 15 SHUTDOWN
- 16 BAND D4
- 17 3v3
- 18 BAND D5
- 19 BAND D6
- 20 0v
- 21 BAND D7
- 22 BAND D3
- 23 -
- 24 -
- 25 0v
- 26 NOISE SOURCE
- 27 -
- 28 ALT BAND D0
- 29 SPI\_CLK
- 30 0v
- 31 SPI\_DATA
- 32 BAND D0
- 33 ADF4351LE
- 34 0v
- 35 BAND D1
- 36 SR SEL D0
- 37 SR SEL D1
- 38 SR SEL D1
- 39 0v
- 40 PTT



GOMJW

Sheet: /  
File: P4GPIO.kicad\_sch

**Title: Portsdown4 Minimal GPIO Board**

Size: A4 Date: 2021-11-14  
KiCad E.D.A. kicad (6.0.0-rc1-170-g6652e5acf4)

Rev: 1  
Id: 1/1